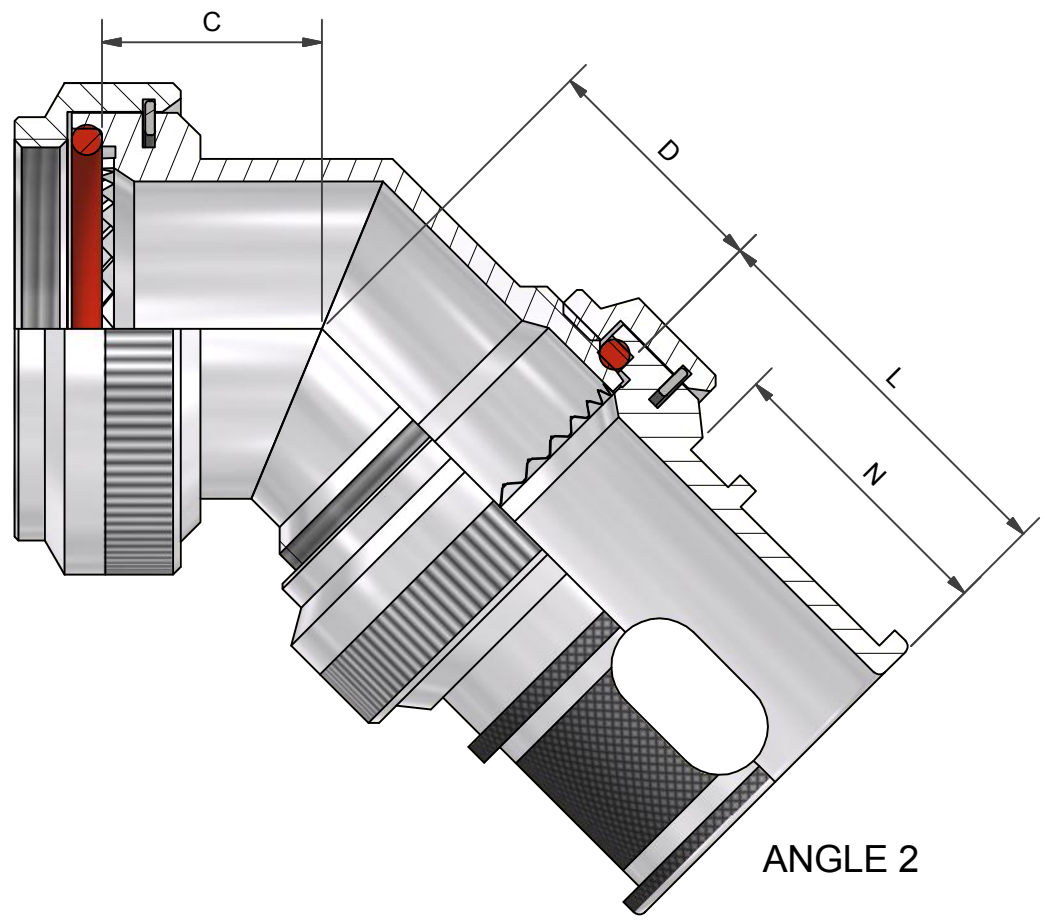
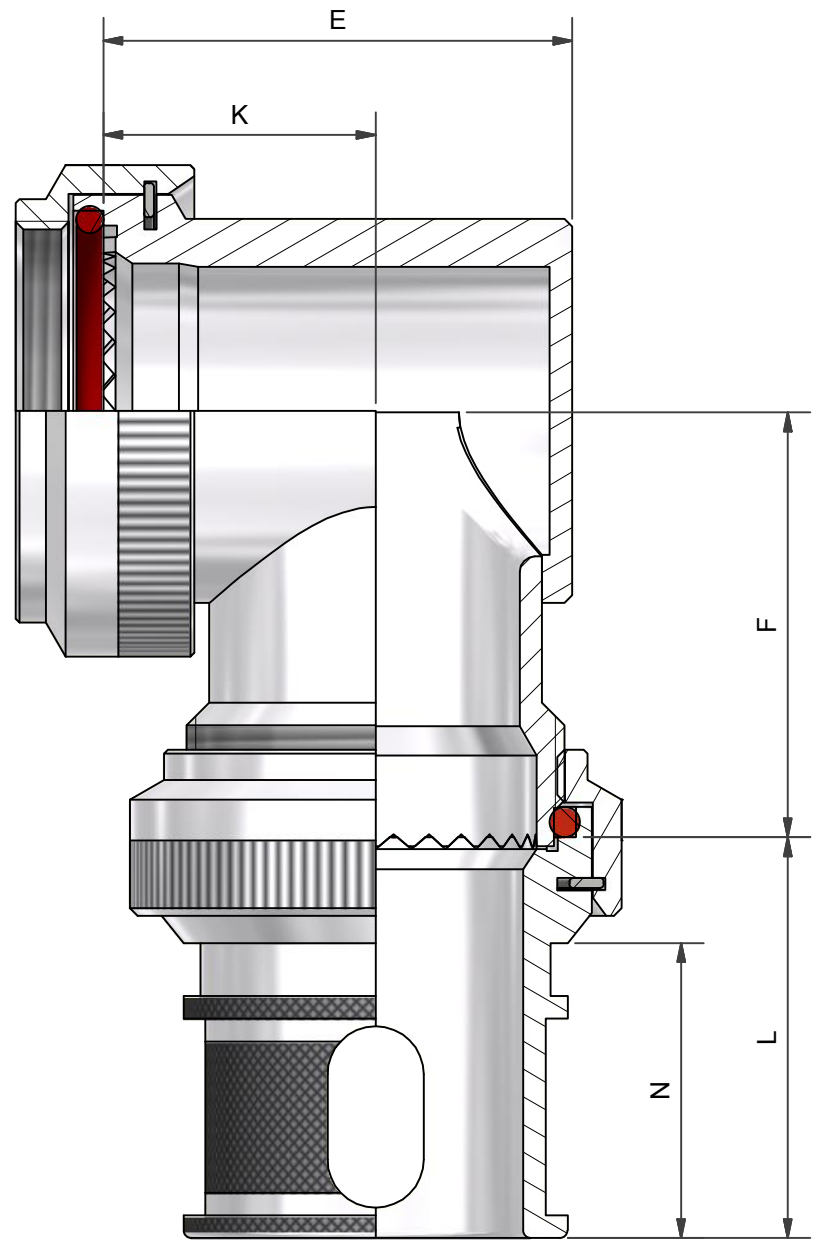


ANGLE 1



ANGLE 2



ANGLE 3

WESTLANDS HELICOPTERS UK PATENT 2239358

DRAWN		DATE		3RD ANGLE PROJECTION NOT TO SCALE	PART NUMBER:		KMAH-D SERIES		
K.WINCZURA		20/03/2013			TITLE:				
DESIGN APPROVAL		DATE		UNLESS OTHERWISE SPECIFIED ALL DIMENSIONS IN MILLIMETRES GENERAL TOL LINEAR +/-0,25MM ANGULAR +/- 1°	MESH TAPE BACKSHELL, DOUBLE SLOT				
K.SHEPPARD		04/04/2013							
DOC TYPE	Customer Drawing				MATERIAL		ASSY USED ON: MIL-DTL-38999 SERIES III & IV		RESTRICTED TO:
ISSUE/REV		DCR		SEE PART NUMBER BREAKDOWN		THIS DRAWING IS COPYRIGHT AND THE PROPERTY OF POLAMCO LTD IT MUST NOT BE COPIED, USED FOR MANUFACTURE OR OTHERWISE DISCLOSED WITHOUT PRIOR WRITTEN CONSENT OF THE COMPANY.		POLAMCO LTD, WESTON LOCK, LOWER BRISTOL ROAD BATH BA2 1EP	
AA		---		FINISH		SEE PART NUMBER BREAKDOWN		SHT 1	
NCAGE CODE U5792		WEIGHT N/A		SEE PART NUMBER BREAKDOWN		DRAWING NO: P25784			

Polamco

TE connectivity

TABLE 1

SHELL SIZE	A THREAD	ØB MAX	ØG	ØH MAX	C MAX	D MAX	E MAX	F MAX	K ± 0,5
09	M12 x 1.0	18,0	6,8	13,2	12,5	14,5	20,0	21,5	13,5
11	M15 x 1.0	21,0	10,3	16,7	13,0	15,0	23,0	23,0	14,5
13	M18 x 1.0	24,5	13,6	20,0	13,6	15,5	27,0	24,5	17,0
15	M22 x 1.0	29,0	16,3	22,7	14,0	16,0	28,0	28,5	16,5
17	M25 x 1.0	32,5	19,5	25,4	15,0	17,0	31,0	30,0	18,0
19	M28 x 1.0	35,5	21,9	28,3	16,0	18,0	36,0	31,5	21,0
21	M31 x 1.0	37,0	25,2	31,6	16,6	18,5	39,0	33,0	22,0
23	M34 x 1.0	40,0	28,3	34,7	17,0	19,0	41,0	34,5	23,0
25	M37 x 1.0	43,5	31,5	37,9	17,4	19,5	47,0	36,0	27,5

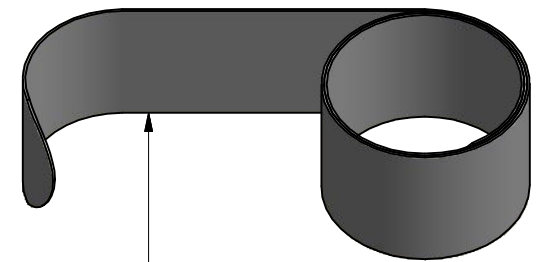
TABLE 2

DOUBLE SLOT OPTION	L	M	N	MESH-TAPE PART NUMBER (ORDERED SEPARATELY - 25 M REEL)
D1	±0,5	±0,2	±0,2	KM (6)
D2	26,5	12,0	19,5	KM (13)

TABLE 3

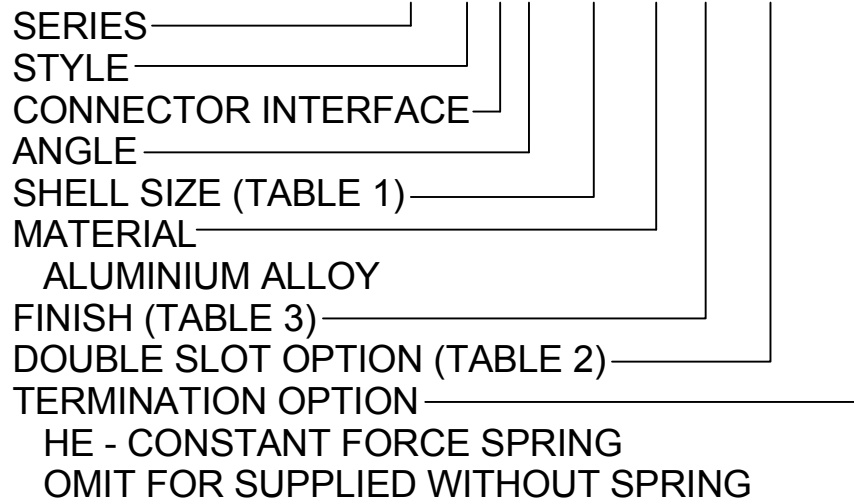
CODE	FINISH
C	ELECTROLESS NICKEL
B	CADMIUM OLIVE DRAB OVER ELECTROLESS NICKEL
ZB	ZINC COBALT OLIVE DRAB OVER ELECTROLESS NICKEL
ZN	ZINC NICKEL BLACK PASSIVATE OVER ELECTROLESS NICKEL

SEE SS0076 FOR FULL RANGE OF FINISH OPTIONS



CONSTANT FORCE SPRING (HE)

KMAH1-17-1-C-D1-HE



DRAWN		DATE		3RD ANGLE PROJECTION NOT TO SCALE	PART NUMBER: KMAH-D SERIES				
K.WINCZURA		20/03/2013			TITLE: MESH TAPE BACKSHELL, DOUBLE SLOT				
DESIGN APPROVAL		DATE		ASSY USED ON: MIL-DTL-38999 SERIES III & IV RESTRICTED TO:					
K.SHEPPARD		04/04/2013						THIS DRAWING IS COPYRIGHT AND THE PROPERTY OF POLAMCO LTD IT MUST NOT BE COPIED, USED FOR MANUFACTURE OR OTHERWISE DISCLOSED WITHOUT PRIOR WRITTEN CONSENT OF THE COMPANY.	
DOC TYPE	Customer Drawing			UNLESS OTHERWISE SPECIFIED ALL DIMENSIONS IN MILLIMETRES		POLAMCO LTD, WESTON LOCK, LOWER BRISTOL ROAD BATH BA2 1EP			
ISSUE/REV	DCR			GENERAL TOL		2		P25784	
AA	---			LINEAR +/- 0,25MM					
NCAGE CODE U5792		WEIGHT N/A		ANGULAR +/- 1°					
				MATERIAL					
				SEE PART NUMBER BREAKDOWN					
				FINISH					
				SEE PART NUMBER BREAKDOWN					



Polamco



DRAWING NO: P25784